



Graver Technologies

Steris® Replacement Filters

Graver Technologies' replacement A and B filters, for Steris machines offer excellent protection for the final sterile filter.

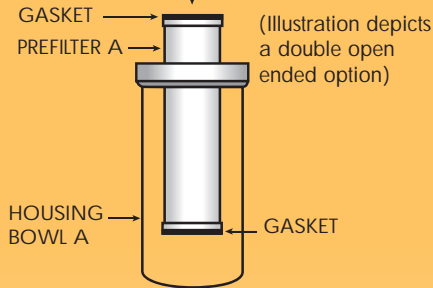
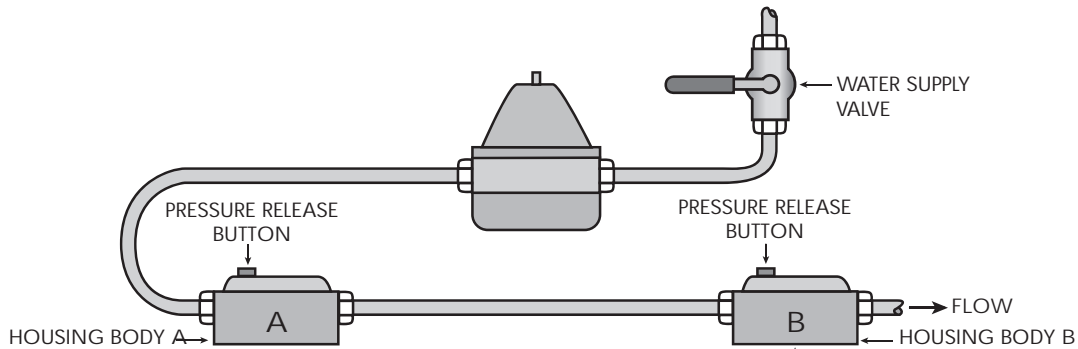
- Replacement A & B filters are designed to effectively protect and extend the life of the final sterile filter
- Choice of endcap styles to fit your housings
- Meets FDA Standards – All material used in the construction of the filters meets FDA (Food and Drug Administration) Title 21 of the CFR
- Clean manufacturing process is used which eliminates the use of glues or epoxies
- End caps are thermo-bonded to the media and support hardware
- High dirt holding capacity
- Longer on-line service reduces valuable maintenance time
- Fixed pore construction eliminates dirt unloading or fiber releasing



Configuration Options

	Part Number	Description
"A" Filter	FPLGT00100	Double open end with silicone flat gasket seal.
	F801030000	Single open end with internal 214 silicone O-ring. Recessed cup on closed end to fit over housing post.
"B" Filter	FPLGT00200	Single open end with 2-222 silicone O-rings. Flat cap on closed end.
	F80D000013	Single open end with 2-222 EPR O-rings. Recessed cup on closed end to fit over housing post.

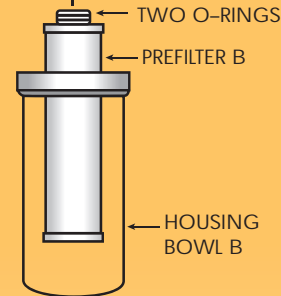
Steris® Replacement Filter Specifications



Steris "A" Replacement Filter

Materials of Construction

Cage, Core, Endcaps	Polypropylene
Filter Media	Polypropylene Nominal Rated 0.2µm
Gaskets/O-rings	Silicone
Water Flow Rate (nominal)	>6GPM/psid (>22LPM/0.07 bar)
Maximum Operating Temperature	175°F (80°C)
Maximum Operating Pressure	40 psid @ 175°F (2.8 bar @ 80°C)
Nominal I.D.	1.0" (2.5 cm)
Nominal O.D.	2.5" (6.35 cm)
Sq Ft per filter	4.4Ft ² (0.41m ²) for SOE 5.1Ft ² (0.47m ²) for DOE
Nominal Lengths	DOE 9.8" (24.9 cm)
FDA Listed Material.	Complies with the regulations of the FDA title 21 of the Code of Federal Regulations Sections 174.5, 177.1520 and 177.1630



Steris "B" Replacement Filter

Materials of Construction

Cage, Core, Endcaps	Polypropylene
Filter Media	Polyethersulfone membrane Absolute rated 0.2 µm
O-Rings	Silicone or EPR
Water Flow Rate (nominal)	>2.15GPM/psid (>8.1LPM/0.07 bar)
Maximum Operating Temperature	180°F (82°C)
Maximum Operating Pressure	30 psid @ 160°F (2.07 bar @ 71°C)
Nominal I.D.	1.0" (2.5 cm)
Nominal O.D.	2.5" (6.35 cm)
Sq Ft per Filter	7 Ft ² (0.56m ²)
Nominal Lengths	SOE 10.8" (27.4 cm)
FDA Listed Material.	Complies with the regulations of the FDA title 21 of the Code of Federal Regulations Sections 174.5, 177.1520 and 177.1630

All information and recommendations appearing in this bulletin concerning the use of products described herein are based on tests believed to be reliable. However, it is the user's responsibility to determine the suitability for his own use of such products. Since the actual use by others is beyond our control, no guarantee, expressed or implied, is made by Graver Technologies as to the effects of such use or the results to be obtained. Graver Technologies assumes no liability arising out of the use by others of such products. Nor is the information herein to be construed as absolutely complete, since additional information may be necessary or desirable when particular or exceptional conditions or circumstances exist or because of applicable laws or government regulations.

Steris is a registered trademark of Steris Corporation.

For more information about Steris Replacement Filters or about any other high performance filtration products, contact your local Distributor:



Pureworld Solutions Inc.

Vancouver Office:

**4916 River Reach,
Delta, BC, V4K 4A4**

**T: 604-878-8092
info@pureworld.ca
www.pureworld.ca**



Graver Technologies

200 Lake Drive,
Glasgow, DE 19702 U.S.A.

302- 731-1700
Fax 302-369-0938

e-mail: info@gravertech.com
web site: www.gravertech.com