



VALVE AND FILTER CORPORATION



V-Series Automatic Screen Filters

V-Series Specifications

General Information

The V-Series design is the most recent, state-of-the-art self-cleaning screen filtration technology available today. The complexity and cleaning efficiency of any self-cleaning screen filter is in the mechanical system that drives the cleaning process. The new V-Series® patented drive mechanism is the simplest and most efficient in design resulting in:

- fewer moving parts (no limit switches or pistons reversing the cleaning mechanism),
- simpler controls,
- lowest flush flow available,
- greater cleaning efficiency, and
- lower maintenance requirements.

The V-Series' 5 to 30 second flush cycle is automatically initiated when a pressure differential across the screen increases to 7 psi. The filter remains on line, and the filtration process remains uninterrupted during the cleaning process. And the flush discharge is the lowest available resulting in minimal waste.

The V-Series filters are constructed to ASME code and are designed to incorporate a broad range of construction materials, and pressure and temperature options. And Valve and Filter custom manufactures filters and skids that simplify installation and meet specific requirements.

Call Valve and Filter, and discover the reasons our customers stay with us.

Materials

- | | |
|-------------|--|
| Filter body | <ul style="list-style-type: none">• 2" - 10" inlet/outlet, 316 SS• 10" - 20" inlet/outlet, epoxy coated carbon steel ** |
| Screens | <ul style="list-style-type: none">• 316L SS sintered ** |
| Flanges | <ul style="list-style-type: none">• AWWA Class D ** |
| Seals | <ul style="list-style-type: none">• nitrile, viton, silicone |

Filtration Range • 15 to 1500 micron **

Flow Range • 35 to 3,670 gpm per filter (with 130 micron screen)

Max Pressure • 150 psi (14.2 kg/cm²) **

Min Pressure • 35 psi (2.5 kg/cm²) **

Max Temp • 176° F (80° C) **

Flush Cycle • 5 to 30 seconds

Control Options

- VF1B - battery powered, single filter
- VF -AC - electronic, up to 12 filters
- NEW - fully-programmable, electronic, multiple interface options

** Other options are available on request.



Pureworld Solutions Inc.

Vancouver Office:

4916 River Reach,
Delta, BC, V4K 4A4

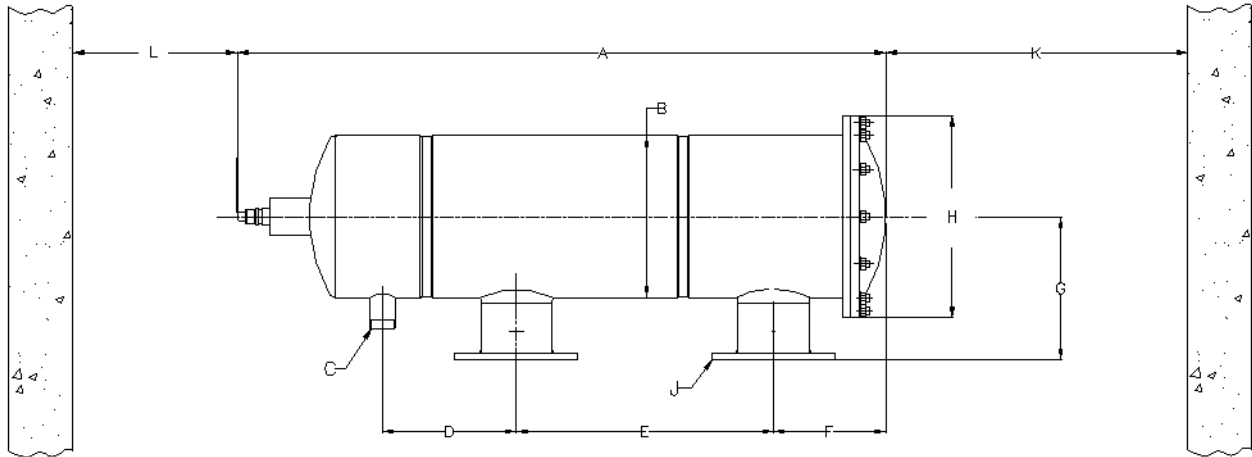
T: 604-878-8092
info@pureworld.ca
www.pureworld.ca

Valve and Filter

5270 Marshall Street, Arvada, CO 80002 USA
Phone 303-425-4242 Fax 303-425-0112

www.valveandfilter.com
sales@valveandfilter.com

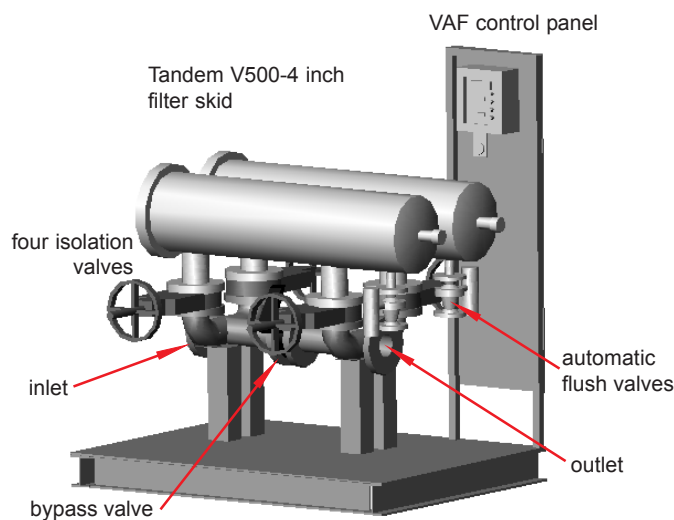
Dimensions



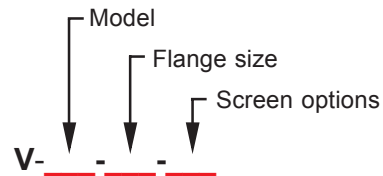
Model	Dimensions - inches											screen area in ²	nominal flow (gpm)			flush flow gallons	# of nozzles
	A length	B body dia.	C flush line	D	E	F	G	H	J flange	K clearance	L clearance		100 μ	200 μ	300 μ		
V250	38.2	10.1	1 NPT	7.1	11.5	9.4	9.2	13.5	2-3-4	30.0	12.0	224	270	360	400	8	2
V500	48.3	10.1	1 NPT	7.7	21.5	9.0	9.1	13.5	3-4-6	40.0	12.0	448	540	720	800	15	4
V1000	60.6	15.2	2 NPT	12.5	24.0	10.5	13.4	18.8	4-6-8	56.0	12.0	867	1040	1400	1520	15	4
V1500	72.6	15.2	2 NPT	12.5	36.0	10.5	13.4	18.8	6-8-10	70.0	12.0	1300	1560	2080	2280	23	6
V2000	80.7	22.1	3 flange	17.0	36.0	16.4	18.1	29.0	10-12-14	72.0	12.0	1696	2040	2720	3060	33	6
V2500	90.0	22.1	3 flange	17.0	48.0	16.4	18.1	29.0	12-14-16	80.0	12.0	2262	2710	3840	4200	44	8
V3500	118.3	24.0	3 flange	34.8	50.0	16.6	20.0	31.3	14-16-20	90.0	12.0	3060	3670	4900	5360	44	8

Note: Valve and Filter "nominal flow" rates shown are for 100, 200 and 300 micron filtration ratings for demonstration purposes only. Larger micron ratings result in higher allowable flow rates. Smaller micron ratings result in lower allowable flow rates. Call Valve and Filter for details.

Typical Application



How To Order



OPTIONS:

Models	Flange sizes	Screen options **
250	2, 3 or 4	15, 25, 50, 75,
500	3, 4 or 6	100, 120, 180,
1000	4, 6 or 8	200, 300, 400,
1500	6, 8 or 10	800, or 1500 micron
2000	10, 12 or 14	all models
2500	12, 14 or 16	
3500	16, 18 or 20	

** Other micron on special request.

Valve and Filter

5270 Marshall Street, Arvada, CO 80002 USA
 Phone 303-425-4242 Fax 303-425-0112
www.valveandfilter.com
sales@valveandfilter.com



Pureworld Solutions Inc.

Vancouver Office:

4916 River Reach,
 Delta, BC, V4K 4A4

T: 604-878-8092
info@pureworld.ca
www.pureworld.ca