

**dynaBLEND**<sup>®</sup>  
Liquid Polymer Blending Systems

Announcing the  
new compact

# miniBLEND

## features

- Lightweight and portable
- Manual or automatic pump speed control
- Choice of diaphragm, peristaltic or remote mounted neat polymer metering pump
- 304 stainless steel frame and mixing chamber
- Reliable, non-mechanical mixing chamber
- Lowest operating cost, most reliable polymer feeders in the industry

### WATER SUPPLY PRESSURE

Water supply must be able to provide the maximum flow rate at 35 psi (240 kPa) greater than the pressure at feeder discharge.

### OPERATING PRESSURE

100 psi maximum (689 kPa)

### DIMENSIONS

18" D (457 mm) x 24" W (610 mm) x 40" H (1016 mm)

### WEIGHT

100 lbs. (45 kg.)

### POWER REQUIREMENT

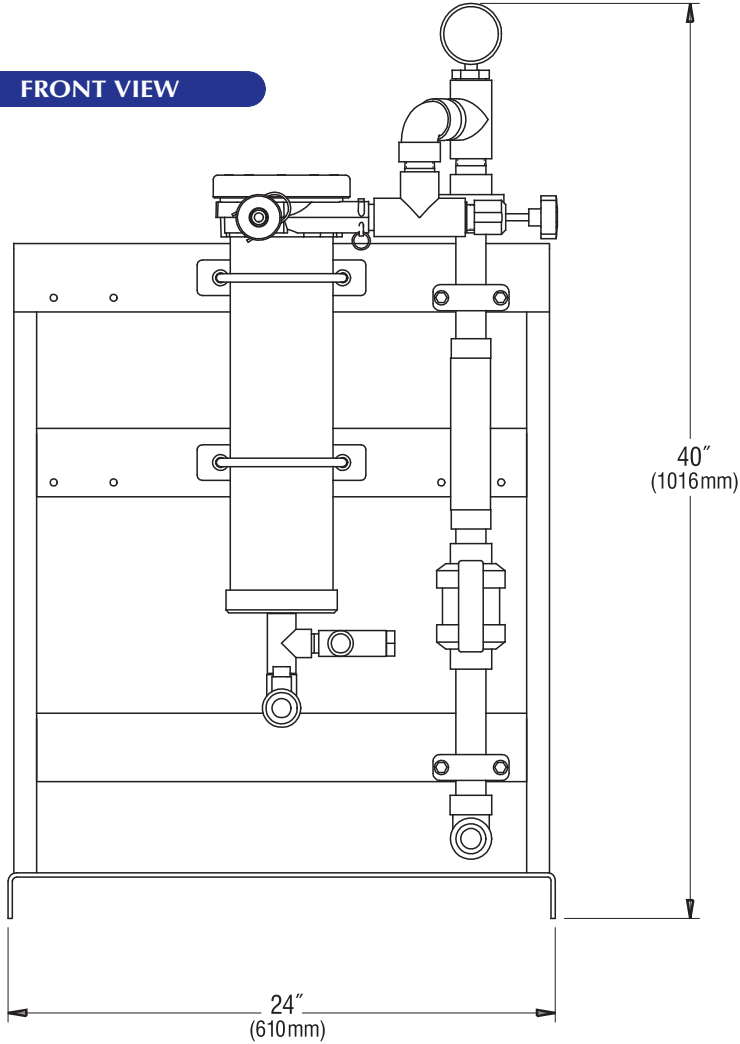
120 VAC, 5-Amp (0.6 kW)



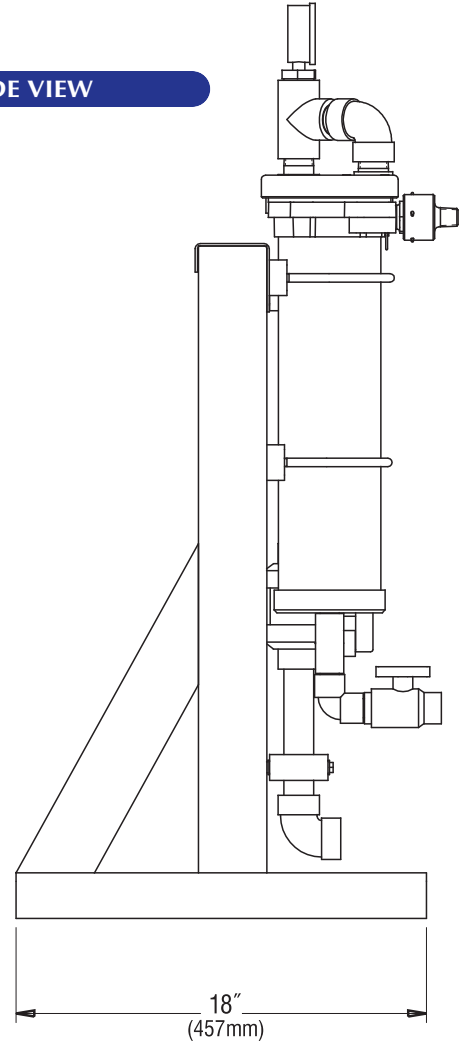
**Fluid Dynamics**  
A Division of  
Neptune Chemical Pump Company

# series L4S specifications

FRONT VIEW



SIDE VIEW



SERIES	DILUTION WATER
<b>L4S-120</b>	12- 120 GPH ( 45- 454 LPH)
<b>L4S-300</b>	30- 300 GPH (113-1136 LPH)
<b>L4S-600</b>	60- 600 GPH (227-2271 LPH)
<b>L4S-1200</b>	120-1200 GPH (454-4543 LPH)

DIA. PUMP	POLYMER RANGE
<b>0.4D</b>	0.02-0.4 GPH (0.08-1.5 LPH)
<b>1.0D</b>	0.05-1.0 GPH (0.19-3.8 LPH)
<b>2.5D</b>	0.13-2.5 GPH (0.38-9.4 LPH)
<b>4.5D</b>	0.23-4.5 GPH (0.75-17.0 LPH)
<b>8.0D</b>	0.40-8.0 GPH (1.50-30.0 LPH)



Fluid Dynamics • 295 DeKalb Pike • North Wales, PA 19454  
 Tel: 215-699-8700 • Toll-Free Tel: 888-363-7886  
 Fax: 215-699-0370 • Toll-Free Fax: 800-255-4017

[www.dynablend.com](http://www.dynablend.com)

© 2011 Fluid Dynamics All Rights Reserved Bulletin mB-11 Printed in U.S.A.



Pureworld Solutions Inc.

Vancouver Office:

4916 River Reach,  
Delta, BC, V4K 4A4

T: 604-878-8092  
[info@pureworld.ca](mailto:info@pureworld.ca)  
[www.pureworld.ca](http://www.pureworld.ca)

